

Current part is item (33) on diagram. Available at www.oshkoshequipment.com

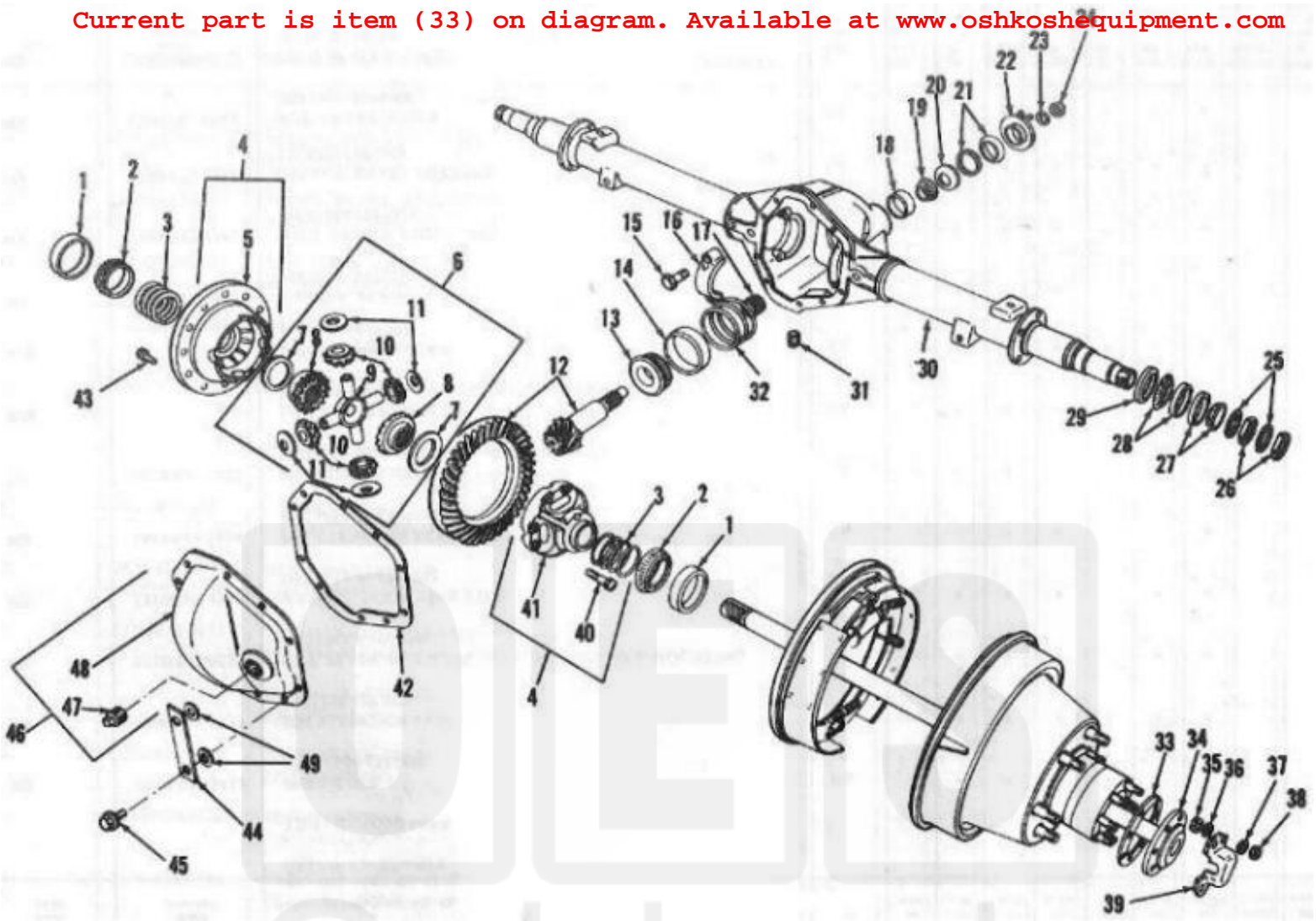


Figure 77: Rear Axle Assembly, Differential and Parts
 Note: Some items pictured are not in this group. See table below to find correct group.

ITEM	GROUP
25, 26, 27, 28, 29, 39	1311
30, 31, 33, 34, 35, 36, 37, 38, 40, 41, 42, 43, 44, 45, 46, 47, 48, 49	2210

(1) SMR code	(2) Federal Stock Number	(3) Description Reference Number & Mfg. Code Usable on Code	(4) Unit of meas	(5) Qty inc in unit	(6) 30-day DS maint. allowance			(7) 30-day GS maint. allowance			(8) 1-yr alw per 100 equip cntgcy	(9) Depot maint alw per 100 equip	(10) Illustration	
					(a)	(b)	(c)	(a)	(b)	(c)			(a) Figure No.	(b) Item No.
		100 REAR AXLE ASSEMBLY Continued												
PO	5330-933-3317	GASKET, AXLE FLANGE 11641093 (19207)	EA	2	*	*	*	*	*	*			77	33
PO	2530-933-3533	SHAFT, AXLE; LEFT 30961-2 (72447)	EA	1	*	*	*	*	*	*			77	34

Current part is item (33) on diagram. Available at www.oshkoshequipment.com